

## Hyperspectral Imaging Systems



Complete hyperspectral imaging systems for laboratory and outdoor applications.

Resonon's hyperspectral imaging systems are fully integrated plug-and-play solutions, with all hardware and software necessary to acquire and analyze hyperspectral data.

### Benchtop System

For laboratory use

#### System components:

- Hyperspectral imaging camera
- Linear translation stage
- Mounting tower
- Stabilized lighting assembly
- Data acquisition computer with software

*Positions of imager and lighting assembly are adjustable along the length of the tower.*

### Outdoor Field System

Tripod mounted scanning system

#### System components:

- Hyperspectral imaging camera
- Rotational scanning stage
- Tripod with tray for laptop computer
- Power supply
- Data acquisition computer with software
- Travel case

- Hyperspectral cameras can be purchased alone or as components in our turnkey hyperspectral imaging systems.
- A C++ software development kit is available for in Windows and Linux.
- Sample data and user-friendly data analysis software are available for free download at [www.downloads.resonon.com](http://www.downloads.resonon.com).

*Multiple options are available for each configuration. Please contact us to discuss your requirements.*

Visit [www.resonon.com](http://www.resonon.com) for complete product specifications.

## Hyperspectral Camera Options

Resonon's systems can be fitted with the following hyperspectral imaging cameras:

	Pika L	Pika XC2	Pika NIR	Pika NUV
<b>Spectral Range (nm)</b>	400 – 1000	400 – 1000	900 – 1700	350 – 800
<b>Spectral Resolution (nm)</b>	2.1	1.3	4.9	2.3
<b>Spectral Channels</b>	281	447	164	196
<b>Spatial Channels</b>	900	1600	320	1600
<b>Max Frame Rate (fps)</b>	249	165	520	165
<b>Bit Depth</b>	12	12	14	12

Multiple objective lens options are available. See our website at [www.resonon.com/Products/lenses.html](http://www.resonon.com/Products/lenses.html) for more information.

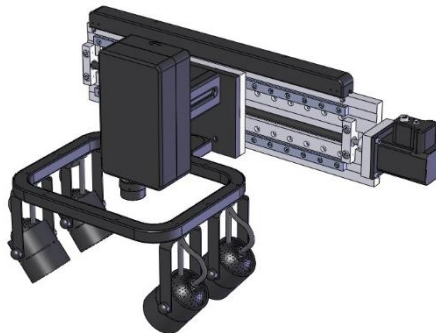
## Benchtop System Stage Options

### Standard Linear Stage



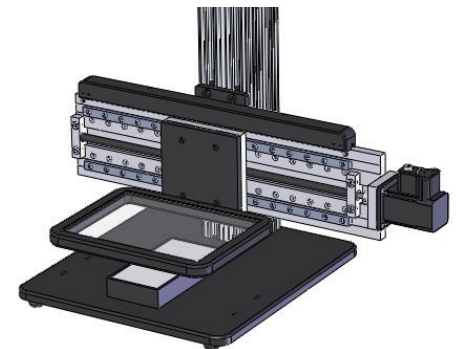
The linear stage holds the sample and translates across the field of view. Used for small samples that are easy to move.

### Lighting & Imager Stage



The imager and lighting assembly are mounted to the standard translation stage. Used to scan stationary objects.

### Backlight Stage



Backlighting with a clear stage platform. Often used to scan biological samples.

### About Resonon

Founded in 2002, Resonon provides turnkey hyperspectral imaging systems as well as custom solutions for complex hyperspectral and optical applications. Our high-precision hyperspectral imaging cameras are affordable, lightweight, easy to use, and have excellent image quality.

Resonon is partnered with distributors around the world. Contact us to discuss your technical requirements.

Visit [www.resonon.com](http://www.resonon.com) for complete product specifications.